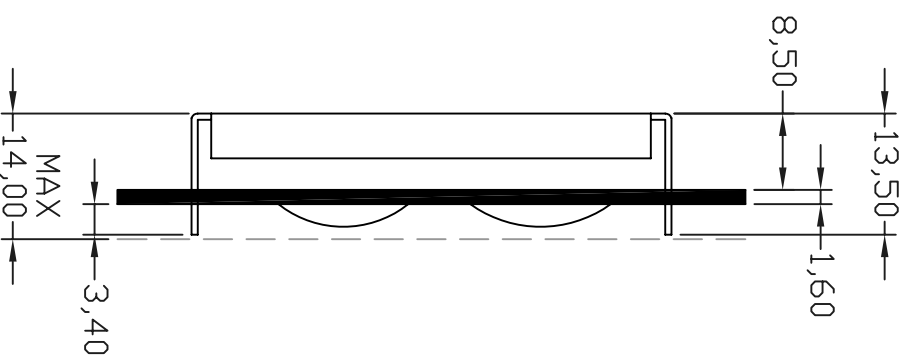
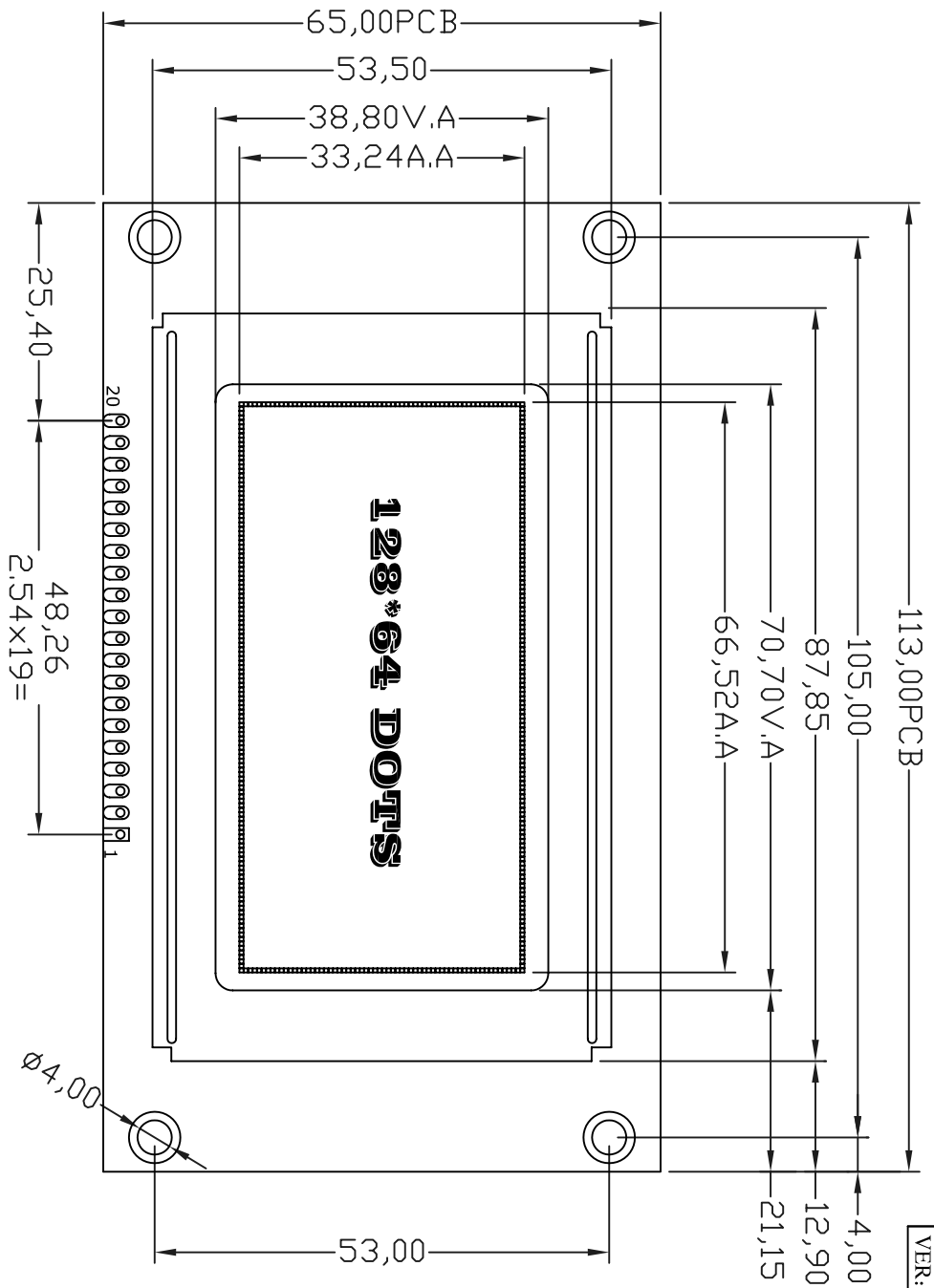


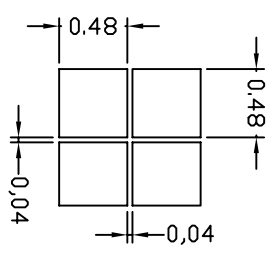
| | | |
|----------|----------------|------------|
| REV 版本 | DESCRIPTION 描述 | DATE 日期 |
| VER: 1.0 | | 2012-12-04 |



| PIN | SYMBOL |
|-----|--------|
| 1 | VSS |
| 2 | VDD |
| 3 | V0 |
| 4 | RS |
| 5 | R/W |
| 6 | E |
| 7 | DB0 |
| 8 | DB1 |
| 9 | DB2 |
| 10 | DB3 |
| 11 | DB4 |
| 12 | DB5 |
| 13 | DB6 |
| 14 | DB7 |
| 15 | CSA |
| 16 | CSB |
| 17 | RSBT |
| 18 | VEE |
| 19 | LED-A |
| 20 | LED-K |

Specification:

- 1). Driving: Duty: 1/64, Bias:1/9,
- 2). Viewing angle: 6 O'clock
- 3). Display mode: STN/Treflective
- 4). Operating temp: -20° C~+70° C
Storage temp: -30° C~+80° C
- 5). IC: KS0107/0108
- 6). B/L: White



| | | | |
|----------------------|------|---|--------------|
| | | 深圳市新电恒信科技有限公司 SHENZHEN XINDIAN HENGXIN TECHNOLOGY CO.,LTD | |
| | | GENERAL TOL: ±0.5 | UNIT mm |
| APPROVALS | DATE | MODEL NUMBER | PART NO: |
| App: CHK: DWG: | | SM12864A1 | SM12864A1-01 |
| | | DO NOT SCALE THIS DRAWING. | |

